



Protected by
PAK ARMORING (PVT) LTD.



PAK ARMORING



ARMORED VEHICLES SPECIALIST

One Team, One Goal, Saving Lives





PRIDE OF PAK ARMORING

**Pak Armoring have the privileged of
Armoring the vehicles of V.VIPs
at the highest level**



Ballistic Standards Chart



NIJ Standard - 0108.01 BALLISTIC RESISTANT PROTECTIVE MATERIALS

ARMORE TYPE	WEAPON	TEST AMMUNITION	NOMINAL BULLET MASS	SUGGESTED BARREL LENGTH	REQUIRED BULLET VELOCITY	REQUIRED HITS PER ARMOR SPECIMEN
I		22 LRHV	2.6 g	15 to 16.5 cm	320 ± 12 m/s	5
		Lead	40 gr	6 to 6.5 in	1050 ± 40 ft/s	5
		38 Special RN Lead	10.2 g 158 gr	15 to 16.5 cm 6 to 6.5 in	259 ± 15 m/s 850 ± 50 ft/s	5
II-A		357 Magnum	10.2 g	10 to 12 cm	381 ± 15 m/s	5
		JSP	158 gr	4 to 4.75 in	1250 ± 50 ft/s	5
		9 mm FMJ	8.0 g 124 gr	10 to 12 cm 4 to 4.75 in	332 ± 12 m/s 1090 ± 40 ft/s	5
II		357 Magnum	10.2 g	15 to 16.5 cm	425 ± 15 m/s	5
		JSP	158 gr	6 to 6.5 in	1395 ± 50 ft/s	5
		9 mm FMJ	8.0 g 124 gr	10 to 12 cm 4 to 4.5 in	358 ± 12 m/s 1175 ± 40 ft/s	5
III-A		44 Magnum	15.55 g	14 to 16 cm	426 ± 15 m/s	5
		Lead SWC	240 gr	5.5 to 6.25 in	1400 ± 50 ft/s	5
		Gas Checked 9 mm FMJ	8.0 g 124 gr	24 to 26 cm 9.5 to 10.25 in	426 ± 15 m/s 1400 ± 50 ft/s	5
III		7.62 mm 308 Winchester FMJ	9.7 g 150 gr	56 cm 22 in	838 ± 15 m/s	5
IV		30-06 AP	10.8 g 166 gr	56 cm 22 in	838 ± 15 m/s 2850 ± 50 ft/s	1

BALLISTIC LEVEL

NIJ	EN	UL	GUNS & BULLETS
III	B6	4 5 7 8	 5.45 x 39mm MSJ RUSSIA 890m/s AK47 7.62 x 51mm FMJ 853m/s M700 Sniper
			 5.56 x 45mm FMJ 960m/s M16 Series 7.62 x 54mmR FMJ 835m/s Dragnov SVD
			 7.62 x 39mm MSJ 740m/s AK47
			 .44 Magnum 450m/s .44 Magnum 9 x 19mm Prabelun FMJ 390m/s Bereta 7.62 x 25mm MSJ 420-480m/s Tokarev
III A II II A I	B4	1 2 3 6	 DN51 Handgranade





One Team, One Goal, Saving Lives

PREAMBLE

A CEO of a large corporation is kidnapped from his vehicle by 6 men carrying AK47's and held for 4 months and then released for 100 million in ransom. A local news reporter is attacked while driving to his home, over 45 shots were fired; all to dramatize a guerrilla group's opposition towards the reporter's voiced opinions. An executive of a large builder group is shot and killed in his vehicle during a botched robbery.

These events are daily occurrences in many parts of the world. Countries that have tremendous disparities between economic classes, where corruption is ramped seem to breed such activities as threats by terrorists to civilians in war torn regions as well as where peace and law & order situations are volatile in the world.

"Individuals are most vulnerable while they are travelling in their vehicles. This is a time when a secure environment cannot be controlled. Hence the armored passenger vehicle was introduced." The armored passenger vehicle industry is a relatively new industry from the standpoint of manufacturers dedicated to the science of armored vehicle conversion. Some of the earliest examples of such converted vehicles were owned by notorious individuals, like Bonnie and Clyde and Al Capone. The technology consisted of mounting heavy plates of steel (non-ballistic) and layered glass on the doors. Materials that did not change until the 1970's, though the mounting and installation techniques improved. While the first individuals who used armored cars were criminals and gave armored vehicle a "black eye" of sorts, eventually (1940's) this type of product found a place protecting presidents and heads of state. Harry S. Truman was the first US President to have an armored vehicle not considered mandatory until after the assassination of President John F. Kennedy.

Around 1975 there began to be interest in the private sector for some sort of vehicle protection. This interest generally came from wealthy individuals in developing countries who had been or were at risk of being kidnapped. In the late 70's, kidnapping began increasing and become a "criminal business" - funding terrorists, changing political environments, and for personal gain.

As demand increased, a few companies opened and began more research and development into armoring materials and installation techniques. Ballistic glass with poly-carbonate backings, fiberglass and Kevlar resin laminates, and ballistic steel materials were incorporated into the process. The finished product improved both ballistically and aesthetically, but these vehicles were still heavy and not practical in many security situations. This is what was available at the time so end users (clients) endured their use, but only if they absolutely had to. This was considered the only option of protection for these individuals when they were most vulnerable - while travelling in their vehicles.





One Team, One Goal, Saving Lives

ABOUT US

Pak Armoring (Pvt) Ltd. was founded on the basic principle of manufacturing the finest, most technologically advanced armored passenger vehicles in the world. Pak Armoring (Pvt) Ltd. was incorporated in 2012. Pak Armoring has been delivering quality work with a team having experience for over 19 years which are known for their excellence and it has been productive, effective and efficient in not only providing quality armored vehicles but have also succeeded in building great relationship with their valuable clients because Pak Armoring believes in prestige.

Pak Armoring team has been armoring civilian and military vehicles for over 19 years, and today, Pak Armoring is creating some of the finest armored vehicles, which are far superior in performance and appearance than the competition.

Pak Armoring prides itself in designing and producing armored vehicles which give optimal protection to the perceived threat level while maintaining the original appearance and performance of the vehicle. To this end, we utilize a wide range of the most advanced ballistic materials available today. Pak Armoring has in-house development and engineering to ensure that the customers receive the optimal bullet-resistant solution for their needs. Pak Armoring views its products as a service, realizing that "personal safety and security of our customers are of utmost importance". To ensure that our engineered solutions are of the highest quality, all our materials are tested at independent laboratories located throughout the World.

Pak Armoring is a leader in the design, and manufacture of both light armored, and fully armored vehicles. These systems are recognized throughout the industry for quality and reliability.

Pak Armoring specializes in the manufacturing of bullet-resistant passenger vehicles for government officials, heads of state, business executives, or any other individual who perceives a threat.

Pak Armoring offers a wide variety of armoring options to fit any need.

Pak Armoring is committed to continuous research and development assures our clients of the most technologically advanced armored passenger vehicles available today.

The Advantage of using the Pak Armoring is:

- ✓ **Cost Effective**
- ✓ **Much lighter than other armoring solutions.**
- ✓ **Each armor solution comes with a warranty provided by Pak Armoring.**
- ✓ **Local support available for vehicles being armored by Pak Armoring.**
- ✓ **All material with Pak Armoring is ballistic, no MS or any other type of steel and non-ballistic material are used in armoring.**





One Team, One Goal, Saving Lives

MESSAGE FROM CEO



Welcome to Pak Armoring (Pvt) Ltd.

Pak Armoring (Pvt) Ltd. is an Armoring company with customers and partners around the world. Working with our partners, we are meeting a broad range of defense and security solutions for government and private sector.

Pak Armoring (Pvt) Ltd. defense Armor products and solutions continue to grow to meet ever changing security threats in the 21st century. With our deep industry knowledge and experience granted in high threat environments around the world, we can help you maintain your security and protect your most valuable Assets.

We take immense pride and pleasure in celebrating our 10 years in the business, I must share that We have spent the past decade delivering the best in security products and solutions while continuing to build our brand, which has now become synonymous with high-performance, High-level security solutions.

Looking ahead, we are focused on accelerating the execution of our growth strategy while continuing to build on the strength of our brand. The quality of our performance will serve as the industry benchmark through our ability to perform as a diversified security products and solutions company, while maintaining a strong presence in the defense and security market.

Pak Armoring (Pvt) Ltd. will maintain its position as the premier provider of security products and solutions to its existing federal and state government customers and private sector clients, while vigorously pursuing new government agencies and corporate clients.

I invite you to review our website and get to know Pak Armoring (Pvt) Ltd, You'll learn about the industry transforming innovations we deliver. You'll find a large portfolio of defense and offerings.

We welcome the opportunity to serve you and help make your organization more Secure, or provide you with solutions to your most sensitive security needs.

Very truly yours...

DR DINSHAW ANKLESARIA





PRODUCTS

PROVIDING CUSTOMIZED ARMORING

**ONE TEAM - ONE GOAL
SAVING LIVES...**



Armored Posts

Armored Glasses

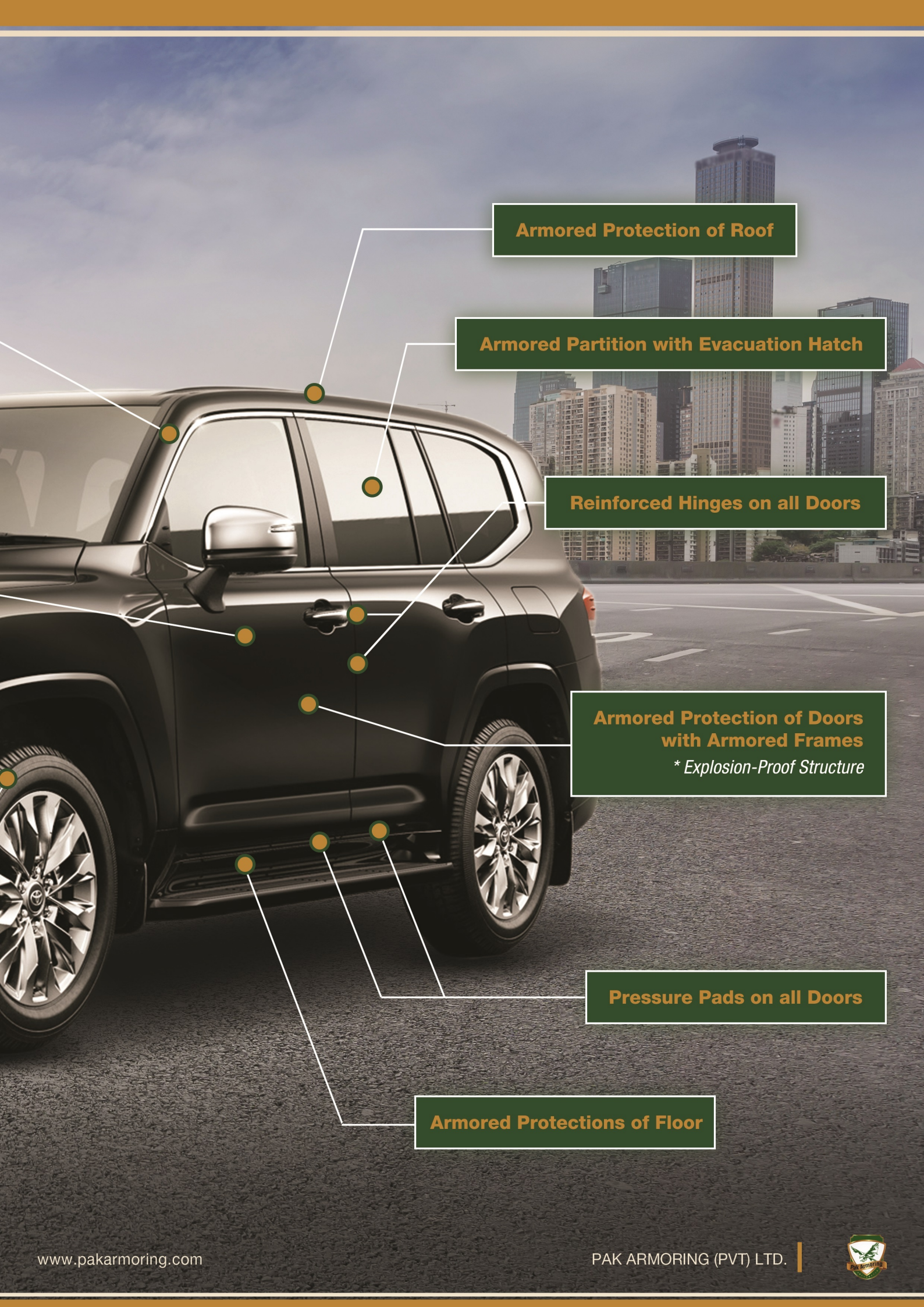
- windshield with electrical heating
- front and rear doors (vertical-sliding)
- glass block in partition

Reinforced Power Windows

Armored Front Radiator and ECM Protected

Wheel Inserts





Armored Protection of Roof

Armored Partition with Evacuation Hatch

Reinforced Hinges on all Doors

Armored Protection of Doors with Armored Frames
** Explosion-Proof Structure*

Pressure Pads on all Doors

Armored Protections of Floor



Armored BMW X Series & Range Rover



Protection Level **B6**

Transparent Armor: B6 (7.62 x 51)

- Replace OEM glass with curved & flat ballistic glass.
- All ballistic glass is rated to B6 standards.

Armor: B6 Armour Materials (7.62 x 51 NATO)

Range Rover has a distinctive exterior coupled with exquisite interior and unrivalled elegance make it a perfect balance of refined luxury and advanced performance. The Super Charged 4.2L engine produces a breathtaking 390hp, making this SUV perfect for use as diplomatic transport or corporate officials in dangerous areas. Available in a multitude of protection levels from moderate to high powered rifle protection.



BMW X Series is a sporty, agile, and exceptionally fast, the BMW X Series is perfectly suited to meet the lifestyle needs of the corporate executive with a real need for protective armoring. The X Series stylish good looks and fine European craftsmanship will instil a sense of luxury and confidence in its user, while providing them with protection from those who would seek to do them harm. An excellent family vehicle with many built-in safety features, the X Series is well suited for the daily transportation of loved ones, and is recommended by personal security consultants to corporate VIPs worldwide.

Protected by
Pak Armoring (Pvt) Ltd.



Armored Toyota Prado & Land Cruiser

Protected by
Pak Armoring (Pvt) Ltd.



Protection Level **B7**
also available on request.

Protection Level **B6**

Transparent Armor: B6 (7.62 x 51)

- Replace OEM glass with curved & flat ballistic glass.
- All ballistic glass is rated to B6 standards.

Armor: B6 Armour Materials (7.62 x 51 NATO)

Toyota Prado is an SUV that blends refined design with intelligent performance, welcome to the driving experience that delivers a new level of freedom with a greater degree of sophistication. Master the toughest terrain with confidence and command the city with style.



Toyota Land Cruiser is one of the most durable and dependable vehicles on the planet, the Toyota Land Cruiser is legendary for its ability to transport its occupants safely through almost any terrain. For decades, Government officials and Private Security Personnel have relied on the Toyota Land Cruiser as the armored vehicle of choice when seeking protection in a variety of hostile territories around the world. With the largest service network of any manufacturer, the Toyota Land Cruiser continues to be the number one choice of those operating in remote locations.



Armored Fortuner & Sorento



Protection Level **B6**

Transparent Armor: B6 (7.62 x 51)

- Replace OEM glass with curved & flat ballistic glass.
- All ballistic glass is rated to B6 standards.

Armor: B6 Armour Materials (7.62 x 51 NATO)

Protected by
Pak Armoring (Pvt) Ltd.



Toyota Fortuner has more muscle to brag about. Experience the flagship utility vehicle, thoughtfully crafted to take you to new heights and explore its true power & versatility.



Kia Sorento cracks the top half of our midsize SUV rankings. It's enjoyable to drive, and it offers a quality interior and user-friendly tech features. The Kia Sorento crossover SUV strikes out in a new styling direction.



Armored Mercedes Benz



Protection Level **B6**

Transparent Armor: B6 (7.62 x 51)

- Replace OEM glass with curved & flat ballistic glass.
- All ballistic glass is rated to B6 standards.

Armor: B6 Armour Materials (7.62 x 51 NATO)

Protected by
Pak Armoring (Pvt) Ltd.



Mercedes Benz cars for you and your family, Enjoy the journey with your loved ones and arrive in relaxed style, innovative safety technologies make the S class a partner you always rely on. The stylish interplay of exquisite materials and fine surface makes the interior an inviting and elegant armored vehicle.



Armored Toyota Corolla & Camry

Protected by
Pak Armoring (Pvt) Ltd.



Protection Level **B6**
also available on request.

Protection Level **B5**

Transparent Armor: B5 (7.62 x 39)

- Replace OEM glass with curved & flat ballistic glass.
- All ballistic glass is rated to B5 standards.

Armor: B6 Armour Materials (7.62 x 39 NATO)

Toyota Corolla offers the best 4 door sedan for inconspicuous protection available. With the high threat of urban violence in many countries the low key look of the Toyota Corolla will fit in without drawing any attention to the driver and occupants. A very stylish vehicle with full ballistic protection at a very affordable price.



Toyota Camry offers the best 4 door sedan for inconspicuous protection available. With the high threat of urban violence in many countries the low key look of the Toyota Camry will fit in without drawing any attention to the driver and occupants. Now Pak Armoring has married the success and dependability of the Best selling Toyota Sedan with the complete sense of personal security protection.



Armored Toyota Revo



Protection Level **B6**

Transparent Armor: B6 (7.62 x 51)

- Replace OEM glass with curved & flat ballistic glass.
- All ballistic glass is rated to B6 standards.

Armor: B6 Armour Materials (7.62 x 51 NATO)

Protected by
Pak Armoring (Pvt) Ltd.



Toyota Vigo is a 4X4 Vehicle known for its durability and dependability. The compact yet powerful nature of the Hilux makes it an ideal platform for an armored security vehicle. With the largest service network of any manufacturer, the Toyota Hilux is an exceptional choice for those operations in remote areas that are in need of a low profile appearance.



Armored HiAce & Coaster



Protection Level **B6**

Transparent Armor: B6 (7.62 x 51)

- Replace OEM glass with curved & flat ballistic glass.
- All ballistic glass is rated to B6 standards.

Armor: B6 Armour Materials (7.62 x 51 NATO)

Protected by
Pak Armoring (Pvt) Ltd.



HiAce was primarily designed as a commuter vehicle, able to transport people. With ample interior space, an easy entry & exit sliding door and seating for 12, the HiAce minibus can take your team, family or club wherever you want to go with ease.

Coaster is the fruit of Toyota's efforts to achieve passenger car comfort in a small bus for improved passenger comfort, the new Coaster has been made bigger all around, the result is an exceptionally quiet cruiser-quiet enough to make passengers forget they're in a bus. Excellent for carrying multiple passengers in an armored and safe environment.



SPECIFICATION



Enhancement	Modification	Make/Country
1. Passenger Cabin Protection	The entire Passenger Cabin inside area shall be armored with an armour poly steel. It will be installed inside the doors and cabin cavity and the original door and cabin panel will be reinstalled offering lightweight protection.	Accelor - Made in France
2. Armored Doors Panels Assembly / Armored Windows	Rear and sides flat ballistic Glass will be installed from inside with framing system. Doors armored and fitted in an inside door application with original door panels left intact. Substrate material and fastening included. Overlap is used around each window to prevent gaps. All existing windows are replaced with ballistic glass/polycarbonate matrix offering lightweight protection. Each vehicle kit will consist of all doors, all windows in the vehicle.	Complete sets US Company Made in Brazil
3. Run Flats inserts	Run flats inserts are fitted in 05 tires of the vehicle.	Europlast Made in Germany
4. "A", "B" and "C" Pillar Post	Armored, contoured panels are installed between the front and rear seats.	Accelor - Made in France
5. Shin Guard Panels	Armored panels are installed under the front fenders offering protection to the feet / shin.	Accelor - Made in France
6. Breaks	Brakes are upgraded to compensate for most of the extra weight of the armor to maintain safety standards.	Made in Australia
7. Interior Firewall Panel & Floor	Protection inside firewall and floor protected.	Accelor - Made in France
8. Hinges	All hinges are re-enforced and fitted in accordance with doors weight.	Made in Dubai
9. Suspension	Vehicle suspension system will be upgraded to accommodate extra weight of the armor.	Made in Australia
10. Fuel Tank Protection	Fuel Tank will be protected.	Accelor - Made in France
11. Engine & ECM Unit	Radiator, ECM unit and Brake lines are protected.	Accelor - Made in France



Sagr Armored Personal Carrier (APC)



Protection Level **B6**

Transparent Armor: B6 (7.62 x 51)

- Replace OEM glass with curved & flat ballistic glass.
- All ballistic glass is rated to B6 standards.

Armor: B6 Armour Materials (7.62 x 51 NATO)

Protected by
Pak Armoring (Pvt) Ltd.



Sagr Pak Armoring Pvt Ltd is proud to introduce the Armored Personnel Carrier (APC), a vehicle armoring solution specifically designed and engineered for Law Enforcement personal transportation in Pakistan. This is built on a heavy duty chassis, equipped with a powerful 200 horsepower, 4.5LV8 engine, and 5 –speed Manual transmission @3400rpm.

The APC is an 8 person, multi-purpose tactical vehicle designed to carry troops to dangerous destinations. Mono-hull built on a Toyota Chassis; the versatile APC (offers superior protection against guns and rifles, making it ideal for high risk areas prone to clashes and ambushes. With 4x4 wheel drive action, it is possible for the vehicle to reach remote, difficult –to-access places..



UQAAB (Multi Purpose Armored Vehicle)

Protected by
Pak Armoring (Pvt) Ltd.



Protection Level **B6**
also available on request.

Protection Level **B7**

Transparent Armor: B7 (7.62 x 51 API)

- Replace OEM glass with curved & flat ballistic glass.
- All ballistic glass is rated to B7 standards.

Armor: B7 Armour Materials (7.62 x 51 API)



UQAAB designed for Military Personnel and VIP Transport. Full Vehicle is protected with certified CEN B7 / NIJ IV Armor; Carry up to 8 soldiers with full equipment. Also equipped with several armored enhancements, such as a blast mitigation floor mat, provided with a roof turret, .30 or .50 CAL Machine Guns, seven springs loaded gun-ports are integrated at each seat. Heating, ventilation and air conditioning system, automatic fire engine suppression system and heavy duty 300 AMP alternator.



Hadeed Armored Guard Post

Protected by
Pak Armoring (Pvt) Ltd.



Working within the customer's budget and operational guidelines, enhanced security features can be incorporated into any current situation. HADEED is the most advanced state of the art personal protective barrier ever designed. This system is designed to replace sandbag and concrete emplacements that offer little in ballistic protection and is impervious to sun and saltwater breakdown. It is available in custom sizes to meet the client's needs.



Protection Level B6



Armored Cash In Transit

Protected by
Pak Armoring (Pvt) Ltd.



Protection Level **B5**
also available on request.

Protection Level **B4**

Pak Armoring is dedicated to creating some of the most secure Cash-n-Transit vehicles on the market today. Our vehicle is trusted by many corporate customers like money exchange companies and multi-national companies to transport their cash and assets.

Our team can customize any chassis or vehicle to give the best protections possible for your needs.



Features and Benefits

- ✓ Vertical panel protection
- ✓ Certified bullet resistance glass and steel
- ✓ Roof protection
- ✓ Doors overlap protection
- ✓ Upgraded suspension and brakes
- ✓ Electronic security area
- ✓ Base to vehicle communication
- ✓ Machinal and electronic controls
- ✓ Security camaras 360o video surveillance and recording





One Team, One Goal, Saving Lives

Benefits of Pak Armoring

- ✔ Superior vehicle survivability: Improved ballistic protection & IED blast protection from all angles.
- ✔ High on and off-road vehicle performance for optimal evasive maneuverability.
- ✔ High operational temperature range.
- ✔ Retention of OEM vehicle exterior and features.
- ✔ Increased vehicle durability and reliability, reduced maintenance, servicing costs and downtime.

Pak Armoring Technology Features

- ✔ Advanced IED blast protection through integration of interlocked pieces of large, armoring panels, maximizing the strength of the armoring material.
- ✔ All armoring panels are installed in an overlapping layout to eliminate any gaps in the armoring.
- ✔ Full 360° degree “bullet catcher” overlap systems installed in all vehicle openings, from top to bottom.
- ✔ Strength of vehicle cabin reinforced by interlocking large pieces of armoring panels, acting as a vehicle roll cage.
- ✔ Minimized welding and bolting points prevent collapse of armoring panels in the event of an explosive attack
- ✔ Vehicle chassis, suspension and brakes are upgraded with heavy duty and high-performance components to accommodate the additional armoring weight.
- ✔ Armored engine bay and fuel tank protect essential vehicle components, ensuring vehicle functionality for evasive maneuvers.





One Team, One Goal, Saving Lives

TECHNOLOGY

Opaque Armor

Pak Armoring only utilize certified ballistic steel for every armored vehicle manufactured. The pre-certified ballistic grade steel is tested by an accredited ballistic laboratory, independent of the manufacturer, to the protection levels as required by Pak Armoring using the standards set out in the Ballistics Standards section.

All opaque armor components are pre-fabricated utilizing laser and plasma cutting technology and stored pending the assembly process. This facilitates fast production times as all components are “off the shelf”. The opaque armoring system was designed to use the smallest number of panels possible.

This system reduces the number of welds and joints and provides “plat panels”, wherever possible. This adds to the rigidity and overhaul strength of the packages. Following this philosophy, the rear tailgate/doors are left as standard. Immediately behind these doors fits a ballistic steel door with a ballistic glass window, surrounded with steel overlaps. This system adds considerable to the rigidity of the ballistic cage and provides yet further protection against bullet penetration and blast IED attack.

Special ballistic steel is use exclusively, including the floor area and foot-welts, in the Vehicle which adds further to the protection levels provided against blast and IED attacks. This exceeds B6 levels of protection in floor and roof areas by provided 90° angle attack (B6 is 45°) Considerable care in the original design was made to ensure complete ballistic protection (no holes) for the front bulkhead area, where mechanical and electric components access the passenger area from the engine bay. Substantial overlaps in ballistic steel around all door and window apertures provide extensive and improved protection from weapons attack targeted at these areas, catching bullets that might otherwise penetrate the passenger compartment. These overlaps extend to the bottoms of the doors, which are particularly vulnerable areas.

The opaque armor system is fixed with a continuous welding system with overlaps to all welded areas for added protection inside the monocoque. The system is bonded to the chassis to maintain the structure in a fixed and rigid position inside the passenger compartment. The panels are coated with an anti-corrosive material and wherever the system touches the original body, rubberized anti-corrosive sealants are used to isolate any contamination and dampen the contact between to two structures.





One Team, One Goal, Saving Lives

TECHNOLOGY

Transparent Armor

Referred to as Lightweight Transparent Armor, Pak Armoring Glass provides a superior level of protection against the toughest security concerns, from random acts of street violence to Head of State protection. Pak Armoring windows are composites of glass and polycarbonate substrates laminated with inter layers, created to absorb energy from various ballistic threats.

The Armored Glass design is:

- ✓ Distortion-free
- ✓ Designed to look like conventional automotive glass.
- ✓ Lighter and thinner than all-glass laminates or air-gap designs.
- ✓ Unaffected by temperature fluctuations.
- ✓ Offers dependable protection against a variety of lethal weapons.

Pak Armoring replaces all existing glass with matching curved glass, providing maximum security, superior optics, light-weight construction and longer service life.





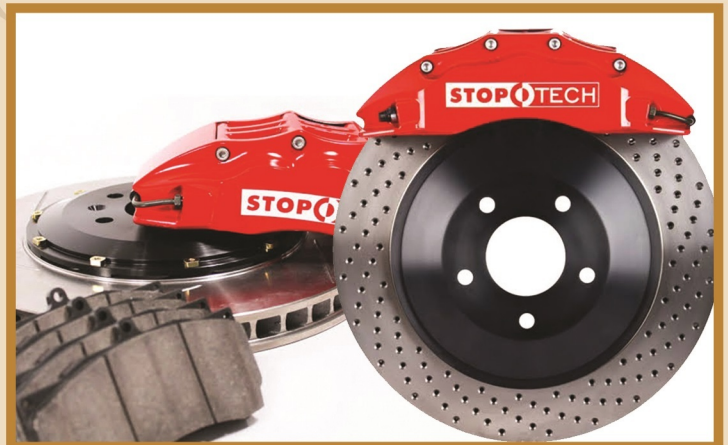
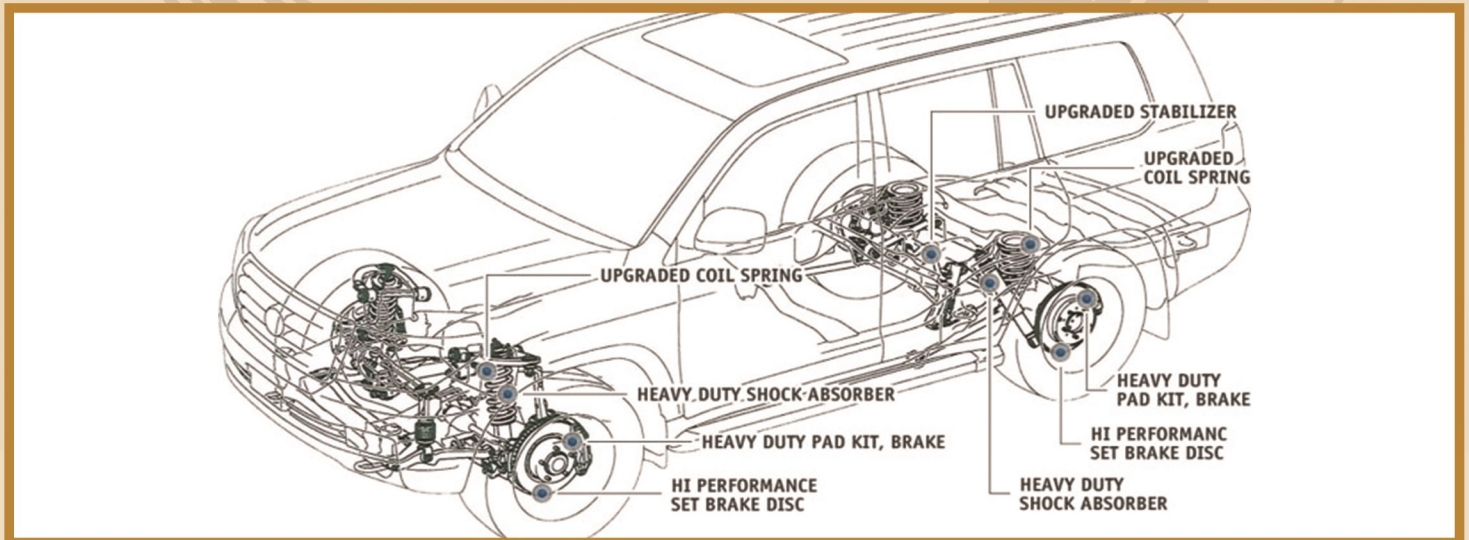
One Team, One Goal, Saving Lives

TECHNOLOGY

Suspension, Shocks and Brakes

We have a progressive suspension system where shocks, coil springs, leaf springs and bushes are replaced with heavy duty suspension components specially made to evenly distribute the weight of armored vehicle as necessary to compensate for additional weight of the vehicle.

Rotors and brake pads of an armored vehicle are replaced with specially manufactured rotors and ceramic brake pads designed to withstand excessive temperatures generated and reinforce dynamic forces of the armored vehicles.





One Team, One Goal, Saving Lives

TECHNOLOGY

Floor Protection

Composite armor is sealed to the entire floor of the vehicle. Designed to absorb bomb fragmentation, armor is concealed under the carpet and seats to maintain the original appearance of each vehicle.



Ballistic Wraps, Anti-Explosive Fuel Tanks

Designed to suppress explosions which may occur in the fuel tank. Ballistic wrap Anti-Explosive Fuel Tanks are installed on all vehicles as part of our standard package.

Hinges

High-end Hinges installed to accommodate the extra weight of Armoring. These Hinges are single piece unit to ensure long lasting impact.





One Team, One Goal, Saving Lives

TECHNOLOGY

Run Flat Tire System

Run Flat Tire System allows the vehicle to travel up to 50 km at 50 km/h (depending on road conditions) on flattened tires. A ballistic rubberized plastic “roller” ring is designed, molded and installed inside each tire around the rim.

When the tires are deflated, the solid rubber ring acts as a backup tire – an airless spare within the tire. This is an optional feature selected by the client.



Dual Ram Bumpers

Concealed behind both the front and the rear bumpers, this option allows each vehicle to ram their way out of a dangerous situation without causing in-operable damage (to the armored vehicle).

In addition, this modification prohibits corners of the vehicle from being rammed into the tires, thus making the armored vehicle inoperable.





One Team, One Goal, Saving Lives

FREQUENTLY ASKED QUESTION

Who is Pak Armoring (Pvt) Ltd.?

Pak Armoring (Pvt) Ltd. (PAPL) is a premier vehicle armoring company that armors all major makes and models of cars and SUV's while maintaining the vehicle's original appearance and performance. Since beginning operations over 10 years ago. Pak Armoring has produced in excess hundred's of armored passenger vehicles. By using proprietary armoring designs and installation techniques as well as the latest lightweight armoring materials. Pak Armoring provides the most technologically advanced protected vehicles available. These vehicles have been delivered to heads of state, corporate executives, celebrities, religious leaders, and civilian contractors all over the world.

How can I determine what level of armoring do I need?

Armor levels are determined by each individual's perceived threat and location of the vehicles use. One "size" (i.e., Level of Package) does not fit all security threats. Call our Pak Armoring professionals to help you determine the best armoring level and package.

What parts of a vehicle get armored?

The purpose of armoring a car is to protect the passengers. Towards that end, armor engineers focus on the occupants first by creating a cocoon of protection by enveloping the passenger cabin. Pak Armoring armors the entire passenger compartment, the glass, floors, pillar posts, roofs, doors – thus providing a maximum coverage of protection for vehicle passengers. In addition, other areas (battery, fuel tank, tires, ECM module, etc.) of the vehicle are, or can be protected.

How long will it take to armor my vehicle?

Our delivery times currently vary from 45 to 60 working days on the majority of vehicle models. Pak Armoring is able to accomplish this due to the volume of vehicles being armored and by keeping in stock armor components for most of the popular luxury vehicles.

How far will run flat tires carry me if they are shot out?

Run-flat tires will carry you, safety for 50 miles at 50 miles per hour depending on road conditions. This is generally much more adequate than is required to escape or leave a dangerous situation to a "safe zone".





One Team, One Goal, Saving Lives

FREQUENTLY ASKED QUESTION

Can any vehicle be armored?

Yes. Some vehicles, however, are more conducive to be armored than others. Again, please call the experts at Pak Armoring to discuss your specific needs.

Does an armored vehicle make more noise?

The armoring acts as an acoustic buffer making the armored vehicle quieter. Occasionally with time noises may occur. For this reason, we offer Two years Guarantee to fix any such problems quickly and accurately.

Does the resale value of an armored vehicle change much?

The armoring is an added feature, therefore when the vehicle is to be sold it should be appraised with the added value of this protection.

What warranties are included with an armored vehicle?

We guarantee the armoring of our vehicles for 24 months. Our suppliers provide materials tested with the most rigid international standards of protection. And we count, on an extremely qualified customer service team to attend to our customers needs, at their work, home, or office.

Is there any legal requirement for owning the Armoring vehicles?

Yes, No Objection Certificate (N.O.C) is required from Ministry of Interior Government of Pakistan.





One Team, One Goal, Saving Lives





One Team, One Goal, Saving Lives





PAK ARMORING (PVT) LTD.

Plot # 2/2A, Survey-86, Sector 24, Main Korangi Creek Road,
Korangi Industrial Area, Karachi, Pakistan.

PHONE: 0321-2112777 - 021-35091661

EMAIL: info@pakarmoring.com



www.pakarmoring.com